



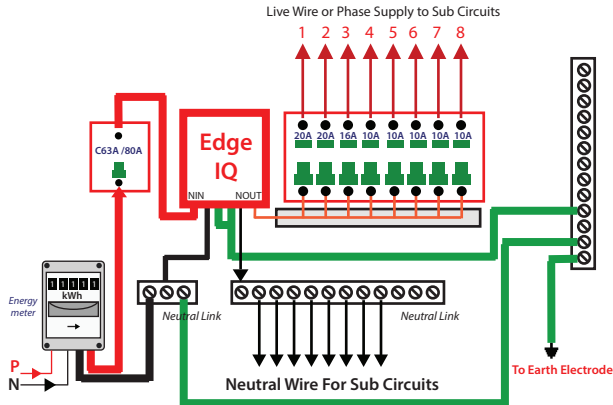
IMPORTANT NOTICE



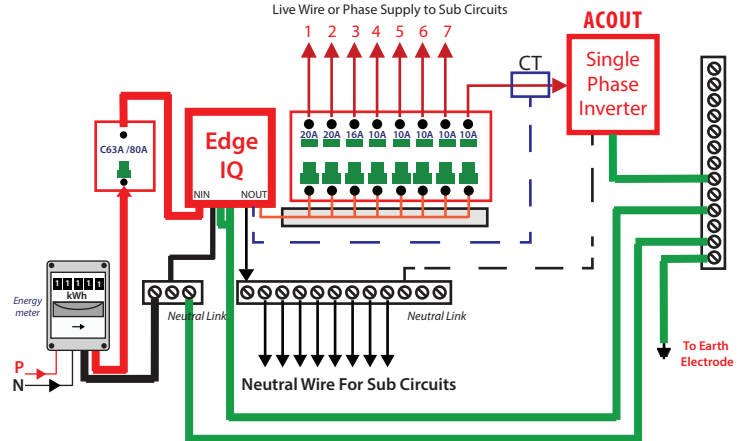
This site has been fitted with an EdgeIQ voltage regulating device.
The switchboard has been wired with a split neutral link.

Please refer to the wiring diagrams below before commencing any works.
For further information please visit www.edgeelectronics.com/installations

EdgeIQ wiring diagram (without solar)



EdgeIQ wiring diagram (with solar inverter)



Please note: These diagrams are for reference only and not specific to this site.